

ISO Flanges

ISO flanges are designed to fit tubes with OD above 2 inches. Hositrad ISO flange are manufactured according to ISO specifications with full compatibility to other manufacturers' standard. There are two types of flange assemblies claw clamp type and bolt flange type; both use an O-ring hold in place by a centering ring to achieve vacuum seal up to 1×10^{-9} mbar.

The bolt type flanges are assembled by using a set of bolts to fix the position of the flanges.

The claw clamp flanges use double claw clamps to hold two flanges together. The use of the claw clamps means that mating flanges can be connected together in any orientation.

Standard specification

Application: High Vacuum	Vacuum Range: 1×10^{-9} mbar
Materials: 304 (1.4301), 316L (1.4404)	Gasket Materials: Viton, Perbunan, Kalrez, Aluminium
Flange Sizes: ISO63~ISO630	Temperature Range < -200°C(150°C sustained)
Tube Sizes: 12,7 mm - 152,4 mm	

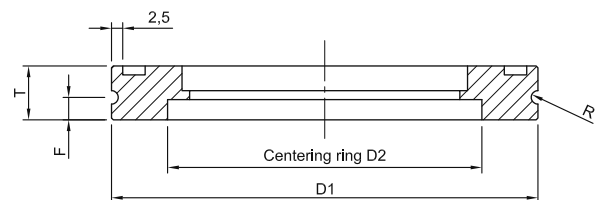


Cleaning and Packaging

Products with weld joints are 100 percent helium leak tested to assure leak free. To ensure the cleanliness of Hositrad products ready for onsite use, all part are ultrasonically cleaned with de-ionized water. Each bag is affixed with a label identifying the component's part number.

Flange information

Flange size	T	D1	D2	F	R	Nr. of Claws
ISO 63	12	95	70	5	1,5	3 - 4
ISO 80	12	110	83	5	1,5	4 - 8
ISO 100	12	130	102	5	1,5	4 - 8
ISO 160	12	180	153	5	2,5	4 - 8
ISO 200	12	240	213	5	2,5	6 - 12
ISO 250	12	290	261	5	2,5	6 - 12
ISO 320	17	370	318	5	2,5	6 - 12
ISO 400	17	450	400	7,5	4	8 - 12
ISO 500	17	550	501	7,5	4	12 / 16
ISO 630	22	690	651	7,5	4	16 - 20



ISO-K Centering ring

Code	Flange	Mat.	D1 (O.D.)	D2 (I.D.)	T	E	Price ex.
ISO63AV	ISO-K 63	ALU	70	67	8	3,9	€ 12
ISO80AV	ISO-K 80	ALU	83	80	8	3,9	€ 17,50
ISO100AV	ISO-K 100	ALU	102	99	8	3,9	€ 15
ISO160AV	ISO-K 160	ALU	153	150	8	3,9	€ 24
ISO200AV	ISO-K 200	ALU	213	210	8	3,9	€ 39
ISO250AV	ISO-K 250	ALU	261	258	8	3,9	€ 65
ISO320AV	ISO-K 320	ALU	318	313	14	5,6	€ 90
ISO400AV	ISO-K 400	ALU	400	395	14	5,6	€ 150
ISO500AV	ISO-K 500	ALU	501	496	14	5,6	€ 160
ISO630AV	ISO-K 630	ALU	651	646	14	5,6	€ 195
ISO63SV	ISO-K 63	SST 304	70	67	8	3,9	€ 14
ISO80SV	ISO-K 80	SST 304	83	80	8	3,9	€ 18
ISO100SV	ISO-K 100	SST 304	102	99	8	3,9	€ 18
ISO160SV	ISO-K 160	SST 304	153	150	8	3,9	€ 28
ISO200SV	ISO-K 200	SST 304	213	210	8	3,9	€ 58
ISO250SV	ISO-K 250	SST 304	261	258	8	3,9	€ 67
ISO320SV	ISO-K 320	SST 304	318	313	14	5,6	€ 180
ISO400SV	ISO-K 400	SST 304	400	395	14	5,6	On request
ISO500SV	ISO-K 500	SST 304	501	496	14	5,6	On request
ISO63SV316L	ISO-K 63	SST 316L	70	67	8	3,9	€ 17
ISO100SV316L	ISO-K 100	SST 316L	102	99	8	3,9	€ 22
ISO160SV316L	ISO-K 160	SST 316L	153	150	8	3,9	€ 33

Also available with Stainless Steel 316 Inner Ring

Including: Viton O-ring, Aluminium Outer Ring

ISO-K Viton O-ring

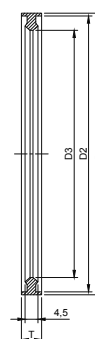
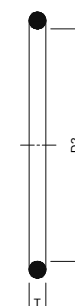
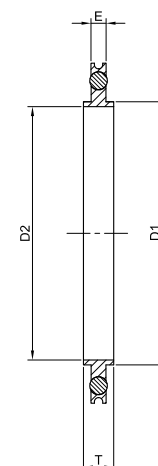
Code	Flange	Mat.	D2 (I.D.)	T	Price ex.
ISO63/VO	ISO-K 63	Black Viton	75	5	€ 3,00
ISO100/VO	ISO-K 100	Black Viton	105	5	€ 4,60
ISO160/VO	ISO-K 160	Black Viton	158	5	€ 6,40
ISO200/VO	ISO-K 200	Black Viton	205	5	€ 11,00
ISO250/VO	ISO-K 250	Black Viton	250	5	€ 13,75

ISO Edge Seal

Code	Flange	Mat.	Price ex.
ISO63EO/A	ISO 63	ALU	On request
ISO80EO/A	ISO 80	ALU	On request
ISO100EO/A	ISO 100	ALU	On request
ISO160EO/A	ISO 160	ALU	On request
ISO200EO/A	ISO 200	ALU	On request
ISO250EO/A	ISO 250	ALU	On request

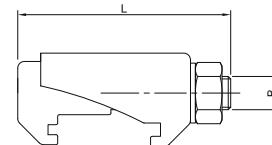
ISO-K Plastic Caps

Code	Flange	Price ex.
ISO63/PC	ISO-K 63	€ 0,45
ISO80/PC	ISO-K 80	€ 0,50
ISO100/PC	ISO-K 100	€ 0,60
ISO160/PC	ISO-K 160	€ 0,65
ISO200/PC	ISO-K 200	€ 0,95
ISO250/PC	ISO-K 250	€ 1,50



ISO-K Double Claw Clamp Zinc Plated Steel

Code	Flange	B (Bolt)	L	Price ex.
ISO63C	ISO-K 63 > ISO-K 250	M10	61,5	€ 3,50
ISO320C	ISO-K 320 > ISO-K 500	M12	76	€ 5,50
ISO630C	ISO-K 630	M12	86	€ 6,00

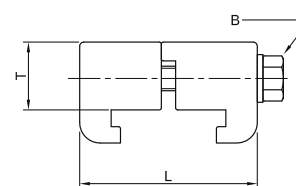


ISO-K Double Claw Clamp Stainless Steel 316 (1.4401)

Code	Flange	B (Bolt)	Price ex.
ISO63C/SS	ISO-K 63>ISO-K 250	M10	€ 6,00
ISO320C/SS	ISO-K 320>ISO-K 500	M12	€ 7,25
ISO630C/SS	ISO-K 630	M12	On request

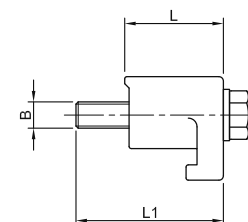
ISO-K Double Claw Clamp Aluminium

Code	Flange	B (Bolt)	T	L	Price ex.
ISO63CA	ISO-K 63 > ISO-K 100	M8	16	45	€ 1,75
ISO160CA	ISO-K 160 > ISO-K 250	M10	16	45	€ 2,50
ISO320CA	ISO-K 320 > ISO-K 500	M12	26	60	€ 3,75
ISO630CA	ISO-K 630	M12	34	60	€ 7,00



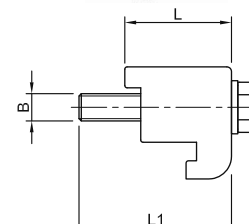
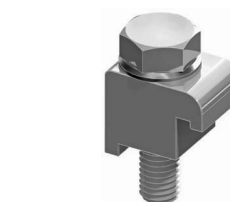
ISO-K Single wall Clamp Zinc Plated Steel

Code	Flange	B (Bolt)	L	L1	Price ex.
ISO63/CG	ISO-K 63 > ISO-K 100	M8	23	35	€ 2,50
ISO160/CG	ISO-K 160 > ISO-K 250	M10	23	35	€ 3,00
ISO320/CG	ISO-K 320 > ISO-K 500	M12	30	50	€ 5,00
ISO630/CG	ISO-K 630	M12	41	60	€ 7,00



ISO-K Single wall Clamp Stainless Steel 304 (1.4301)

Code	Flange	B (Bolt)	L	L1	Price ex.
ISO63/CG304	ISO-K 63 > ISO-K 100	M8	23	35	€ 3,95
ISO160/CG304	ISO-K 160>ISO-K 250	M10	35	23	€ 4,50
ISO320/CG304	ISO-K 320>ISO-K 500	M12	30	50	€ 5,60
ISO630/CG304	ISO-K 630	M12	41	60	€ 7,50

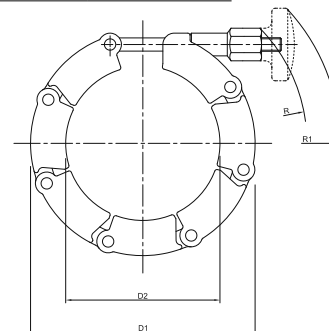
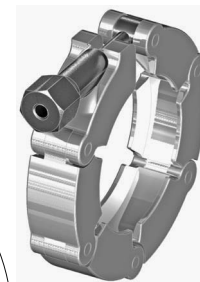


ISO-K Single wall Clamp Aluminium

Code	Flange	B (Bolt)	L	L1	Price ex.
ISO63/CA	ISO-K 63 > ISO-K 100	M8	23,5	35	€ 1,25
ISO160/CA	ISO-K 160 > ISO-K 250	M10	23,5	35	€ 1,75
ISO320/CA	ISO-K 320 > ISO-K 500	M12	30	50	€ 2,50
ISO630/CA	ISO-K 630	M12	60	41	€ 5,00

Tensioning Chains

Code	Flange	Mat.	D1 (O.D.)	D2 (I.D.)	R	R1	Price ex.
ISO80CT/A	ISO 80	ALU	154	101	118	145	€ 116
ISO100CT/A	ISO 100	ALU	170	121	130	152	€ 138
ISO160CT/A	ISO 160	ALU	244	172	154	194	€ 154

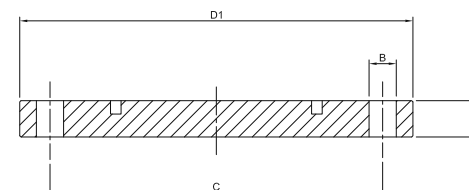


ISO-F Blank Flange

Code	Flange	Mat.	D1 (O.D.)	B (Bolt)	C (B. circle)	T	Price ex.
ISO63FB	ISO-F 63	SST 304	130	9	110	12	€ 39
ISO80FB	ISO-F 80	SST 304	145	9	125	12	€ 45
ISO100FB	ISO-F 100	SST 304	165	9	145	12	€ 68
ISO160FB	ISO-F 160	SST 304	225	11	200	16	€ 127
ISO200FB	ISO-F 200	SST 304	285	11	260	16	€ 240
ISO250FB	ISO-F 250	SST 304	335	11	310	16	€ 242
ISO320FB	ISO-F 320	SST 304	425	14	395	20	€ 495
ISO400FB	ISO-F 400	SST 304	510	14	480	20	On request
ISO500FB	ISO-F 500	SST 304	610	14	580	20	On request
ISO630FB	ISO-F 630	SST 304	750	14	720	24	On request



Aluminium Flanges on request

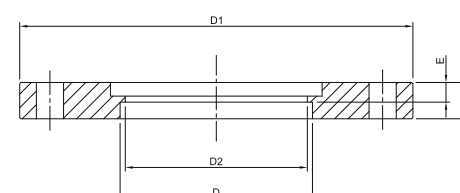


ISO-F Weld Flange

Code	Flange	Mat.	D	D1 (O.D.)	D2 (I.D.)	T	E	Price ex.
ISO63F/64	ISO-F 63	SST 304	63,5	130	60,3	12	6,5	€ 49
ISO63F/76	ISO-F 63	SST 304	76,1	130	73	12	6,5	€ 49
ISO80F/89	ISO-F 80	SST 304	88,9	145	85,9	12	6,5	€ 55
ISO100F/102	ISO-F 100	SST 304	101,6	165	98,6	12	6,5	€ 90
ISO100F/104	ISO-F 100	SST 304	104	165	101	12	6,5	€ 95
ISO100F/108	ISO-F 100	SST 304	108	165	105	12	6,5	€ 99
ISO160F/154	ISO-F 160	SST 304	154	225	151	16	6,5	€ 160
ISO160F/159	ISO-F 160	SST 304	159	225	156	16	6,5	€ 160
ISO200F/204	ISO-F 200	SST 304	204	285	201	16	6,5	€ 240
ISO200F/219	ISO-F 200	SST 304	219,1	285	216	16	6,5	€ 240
ISO250F/254	ISO-F 250	SST 304	254	335	251	16	6,5	€ 245
ISO250F/273	ISO-F 250	SST 304	273	335	269	16	6,5	€ 265
ISO320F/324	ISO-F 320	SST 304	323,9	425	319	20	9,5	€ 483
ISO400F/406	ISO-F 400	SST 304	406	510	401	20	9,5	€ 900
ISO500F/508	ISO-F 500	SST 304	509	610	502	20	9,5	On request
ISO630F/640	ISO-F 630	SST 304	640	750	654	24	11	On request



D = Tube Size Tolerance +0,1 / +1,0

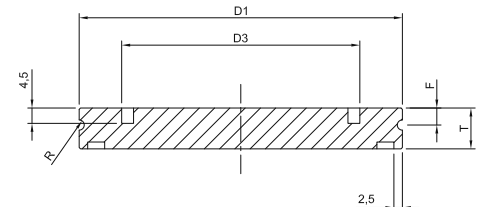


ISO-K Blank Flange



Code	Flange	Mat.	D1 (O.D.)	D3	T	R	Price ex.
ISO63B	ISO-K 63	SST 304	95	70	12	1,5	€ 25
ISO80B	ISO-K 80	SST 304	110	83	12	1,5	€ 36
ISO100B	ISO-K 100	SST 304	130	102	12	1,5	€ 33
ISO160B	ISO-K 160	SST 304	180	153	12	2,5	€ 64
ISO200B	ISO-K 200	SST 304	240	213	12	2,5	€ 150
ISO250B	ISO-K 250	SST 304	290	261	12	2,5	€ 165
ISO320B	ISO-K 320	SST 304	370	318	17	2,5	€ 450
ISO400B	ISO-K 400	SST 304	450	400	17	4	On request
ISO500B	ISO-K 500	SST 304	550	501	17	4	On request
ISO630B	ISO-K 630	SST 304	690	651	22	4	On request
ISO63B/316L	ISO-K 63	SST 316L	95	70	12	1,5	€ 30
ISO80B/316L	ISO-K 80	SST 316L	110	83	12	1,5	€ 49
ISO100B/316L	ISO-K 100	SST 316L	130	102	12	1,5	€ 52
ISO160B/316L	ISO-K 160	SST 316L	180	153	12	2,5	€ 105
ISO200B/316L	ISO-K 200	SST 316L	240	213	12	2,5	€ 190
ISO250B/316L	ISO-K 250	SST 316L	290	261	12	2,5	€ 205

Aluminium Flanges on request

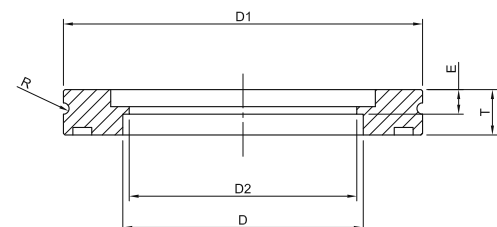


ISO-K Weld Flange



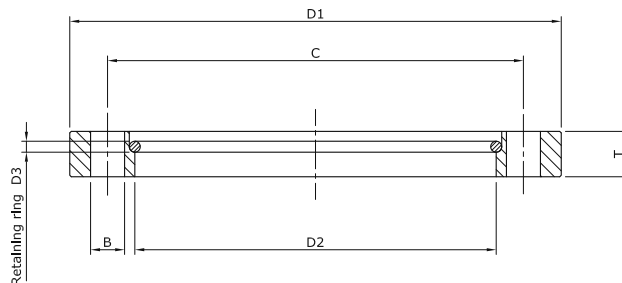
Code	Flange	Mat.	D	D1 (O.D.)	D2 (I.D.)	T	E	Price ex.
ISO63/64	ISO-K 63	SST304	63,5	95	60,3	12	6,5	€ 25
ISO63/70	ISO-K 63	SST304	70	95	67	12	6,5	€ 28
ISO63/76	ISO-K 63	SST304	76,1	95	73	12	6,5	€ 25
ISO80/76	ISO-K 80	SST304	76,1	110	73	12	6,5	€ 38
ISO80/89	ISO-K 80	SST304	88,9	110	85,9	12	6,5	€ 38
ISO100/102	ISO-K100	SST304	101,6	130	98,6	12	6,5	€ 33
ISO100/104	ISO-K100	SST304	104,0	130	101	12	6,5	€ 33
ISO100/108	ISO-K100	SST304	108,0	130	105	12	6,5	€ 33
ISO160/154	ISO-K160	SST304	154	180	151	12	6,5	€ 75
ISO160/159	ISO-K160	SST304	159	180	156	12	6,5	€ 59
ISO200/204	ISO-K 200	SST304	204	240	201	12	6,5	€ 75
ISO200/219	ISO-K 200	SST304	219,1	240	216	12	6,5	€ 145
ISO250/254	ISO-K 250	SST304	254	290	251	12	6,5	€ 150
ISO250/256	ISO-K 250	SST304	256	290	251	12	6,5	€ 150
ISO250/273	ISO-K 250	SST304	273	290	269,5	12	6,5	€ 150
ISO320/324	ISO-K 320	SST304	323,9	370	319	17	9,5	€ 450
ISO400/406	ISO-K 400	SST304	406	450	401	17	9,5	On request
ISO500/508	ISO-K 500	SST304	508	550	502	17	9,5	On request
ISO630/640	ISO-K 630	SST304	640	690	634	22	11	On request
ISO63/76/316L	ISO-K 63	SST316L	76,3	95	73	12	6,5	On request
ISO100/102/316L	ISO-K 100	SST316L	101,9	130	98,6	12	6,5	On request
ISO160/159/316L	ISO-K 160	SST316L	159,4	180	156	12	6,5	On request

D = Tube Size Tolerance +0,1 / +1,0



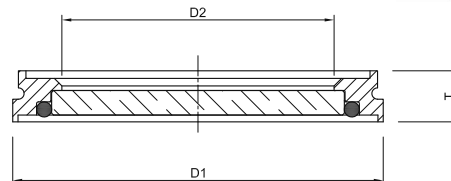
ISO-K Rotatable Flange (Retaining ring included) Stainless Steel

Code	Flange	Mat.	D1 (O.D.)	D2 (I.D.)	D3	B (Bolt)	C (B. circle)	T	Price ex.
ISO63R	ISO-K 63	SST 304	130	95,6	3	9	110	12	€ 43
ISO80R	ISO-K 80	SST 304	145	110,6	3	9	125	12	€ 45
ISO100R	ISO-K 100	SST 304	165	131	3	9	145	12	€ 58
ISO160R	ISO-K 160	SST 304	225	181	5	11	200	16	€ 135
ISO200R	ISO-K 200	SST 304	285	241	5	11	260	16	€ 240
ISO250R	ISO-K 250	SST 304	335	291	5	11	310	16	€ 290
ISO320R	ISO-K 320	SST 304	425	371	5	14	395	20	€ 500
ISO400R	ISO-K 400	SST 304	510	451,6	8	14	480	20	€ 780
ISO500R	ISO-K 500	SST 304	610	551,6	8	14	580	20	On request
ISO630R	ISO-K 630	SST 304	750	691,6	8	14	720	24	On request



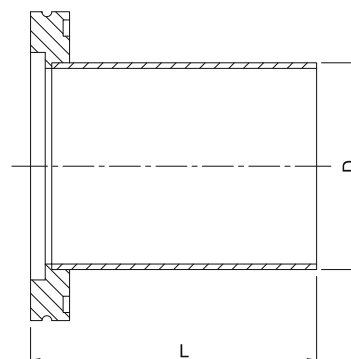
ISO-K Viewports Zero Length Glass

Code	Flange	D1 (O.D.)	D2 (I.D.)	T	Price ex.
HVP-ISO63	NW63 ISO-K	98	72	13,5	€ 125,00
HVP-ISO100	NW100 ISO-K	133	104	15,5	€ 195,00
HVP-ISO160	NW160 ISO-K	183	153	17,2	€ 295,00
HVP-ISO200	NW200 ISO-K		On request		On request
HVP-ISO250	NW250 ISO-K		On request		On request



ISO-K Half Nipples

Code	Flange	D	L	Price ex.
ISO63/64NH	ISO-K 63	63,5	88	€ 45
ISO63/76NH	ISO-K 63	76,1	88	€ 55
ISO80/76NH	ISO-K 80	76,1	98	€ 65
ISO80/89NH	ISO-K 80	89	98	€ 90
ISO100/102NH	ISO-K 100	101,6	108	€ 70
ISO100/108NH	ISO-K 100	108	108	€ 95
ISO160/154NH	ISO-K 160	154	138	€ 145
ISO160/159NH	ISO-K 160	159	138	€ 165
ISO200/204NH	ISO-K 200	204	168	€ 230
ISO200/219NH	ISO-K 200	219	168	€ 215
ISO250/254NH	ISO-K 250	254	208	€ 276
ISO250/273NH	ISO-K 250	273	208	€ 267

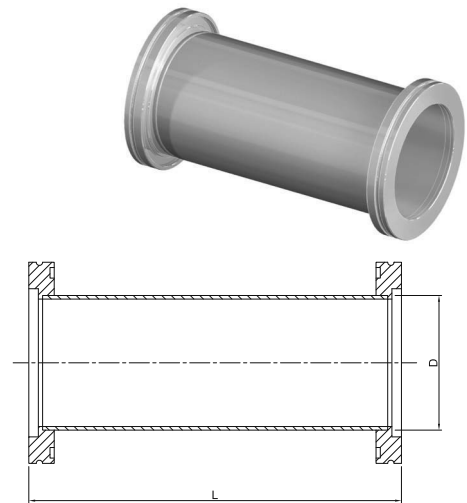


Other lengths available on request.

ISO-K Full Nipples

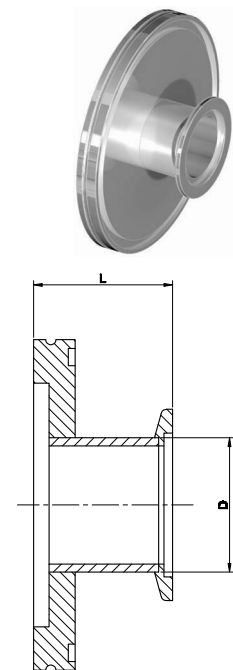
Code	Flange	D	L	Price ex.
ISO63/64NF	ISO-K 63	63,5	176	€ 65
ISO63/76NF	ISO-K 63	76,1	176	€ 90
ISO80/76NF	ISO-K 80	76,1	196	€ 100
ISO80/89NF	ISO-K 80	88,9	196	€ 120
ISO100/102NF	ISO-K 100	101,6	216	€ 135
ISO100/108NF	ISO-K 100	108	216	€ 135
ISO160/154NF	ISO-K 160	154	276	€ 220
ISO200/203NF	ISO-K 200	203,2	336	€ 325
ISO250/254NF	ISO-K 250	254	416	€ 455

Other lengths available on request.



ISO-K to KF Adaptors

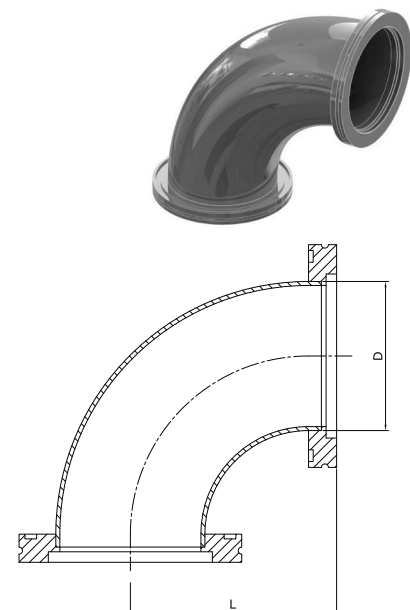
Code	Flange	D	L	Price ex.
ISO63/40A	ISO-K 63 to NW40KF	42	50	€ 38
ISO63/50A	ISO-K 63 to NW50KF	50,8	50	€ 45
ISO80/40A	ISO-K 80 to NW40KF	42	50	€ 45
ISO80/50A	ISO-K 80 to NW50KF	50,8	50	€ 48
ISO100/40A	ISO-K 100 to NW40KF	42	50	€ 60
ISO100/50A	ISO-K 100 to NW50KF	50,8	50	€ 40
ISO160/40A	ISO-K 160 to NW40KF	42	50	€ 75
ISO160/50A	ISO-K 160 to NW50KF	50,8	50	€ 85



ISO-K 90° Elbow

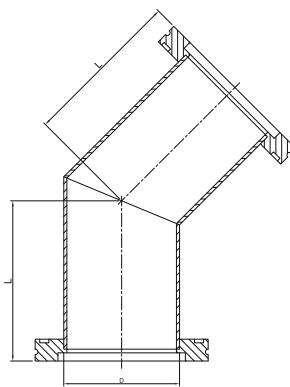
Code	Flange	D	L	Price ex.
ISO63/E	ISO-K 63	63,6	88	€ 145
ISO80/E	ISO-K 80	89	98	€ 150
ISO100/E	ISO-K 100	101,6	108	€ 275
ISO160/Em	ISO-K 160	154	138	€ 340
ISO200/Em	ISO-K 200	203	178	On request
ISO250/Em	ISO-K 250	254	208	On request

m = Mitred version, all other sizes are of radiused type



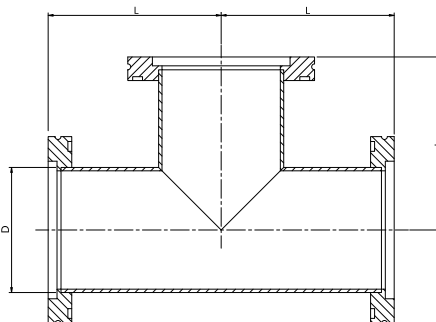
ISO-K 45° Elbow

Code	Flange	D	L	Price ex.
ISO63/76E45	ISO-K 63	76	82	On request
ISO80/89E45	ISO-K 80	89	100	On request
ISO100/108E45	ISO-K 100	108	128	On request
ISO160/154E45	ISO-K 160	154	138	On request
ISO200/204E45	ISO-K 200	203	168	On request
ISO250/256E45	ISO-K 250	254	208	On request



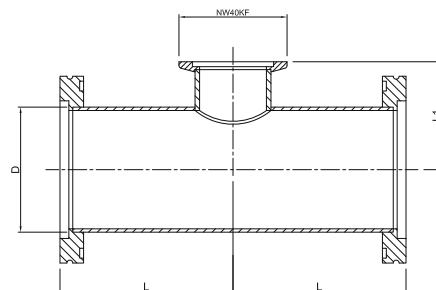
ISO-K Tee

Code	Flange	D	L	Price ex.
ISO63/T	ISO-K 63	76	88	€ 190
ISO80/T	ISO-K 80	89	98	€ 220
ISO100/T	ISO-K 100	108	108	€ 254
ISO160/T	ISO-K 160	154	138	€ 450
ISO200/T	ISO-K 200	203	178	€ 720
ISO250/T	ISO-K 250	254	208	€ 1075



ISO-K to KF Reducing Tee

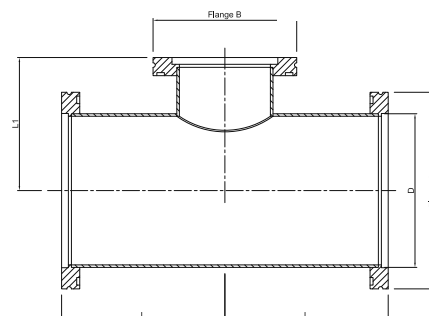
Code	Flange	D	L	L1	Price ex.
ISO63/40/FR	ISO-K 63 to NW40KF	76	88	47,5	€ 170
ISO80/40/FR	ISO-K 80 to NW40KF	89	98	55	€ 260
ISO100/40/FR	ISO-K 100 to NW40KF	108	108	65	€ 290
ISO160/40/FR	ISO-K 160 to NW40KF	154	138	90	€ 350
ISO200/40/FR	ISO-K 200 to NW40KF	203	178	120	€ 450
ISO250/40/FR	ISO-K 250 to NW40KF	254	208	145	€ 575



ISO-K Reducing Tee

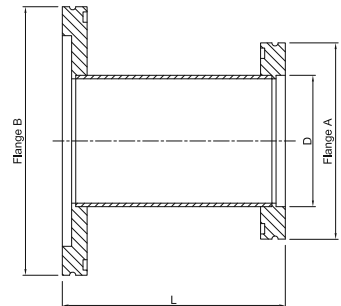
Code	Flange A	D	L	L1	Price ex.
ISO80/63TR	ISO-K 80 to ISO-K 63	89	98	88	€ 290
ISO100/63TR	ISO-K100 to ISO-K 63	108	108	88	€ 295
ISO100/80TR	ISO-K100 to ISO-K 80	108	108	98	€ 310
ISO160/63TR	ISO-K160 to ISO-K 63	154	138	108	€ 490
ISO160/100TR	ISO-K160 to ISO-K100	154	138	108	€ 520

Other combinations available on request



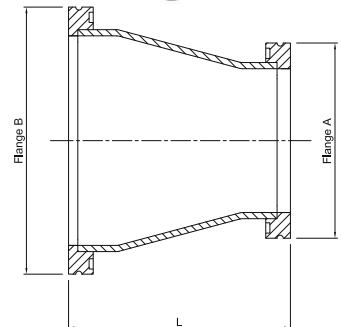
ISO-K Reducers

Code	Flange	D	L	Price ex.
ISO63/80R	A = ISO-K 63 / B = ISO-K 80	76	98	€ 77
ISO63/100R	A = ISO-K 63 / B = ISO-K100	63,5	108	€ 92
ISO63/160R	A = ISO-K 63 / B = ISO-K160	76	138	€ 140
ISO80/100R	A = ISO-K 80 / B = ISO-K100	89	108	€ 105
ISO100/160R	A = ISO-K100 / B = ISO-K160	108	138	€ 165
ISO100/250R	A = ISO-K100 / B = ISO-K250	108	138	€ 286
ISO160/200R	A = ISO-K160 / B = ISO-K200	154	138	€ 260
ISO200/250R	A = ISO-K200 / B = ISO-K250	203	138	€ 480
ISO250/100R	A = ISO-K250 / B = ISO-K100	254	138	€ 310
ISO250/160R	A = ISO-K250 / B = ISO-K160	254	138	€ 320
ISO250/400R	A = ISO-K250 / B = ISO-K400	254	138	On request
ISO250/630R	A = ISO-K250 / B = ISO-K630	254	138	On request
ISO400/630R	A = ISO-K400 / B = ISO-K630	406	138	On request



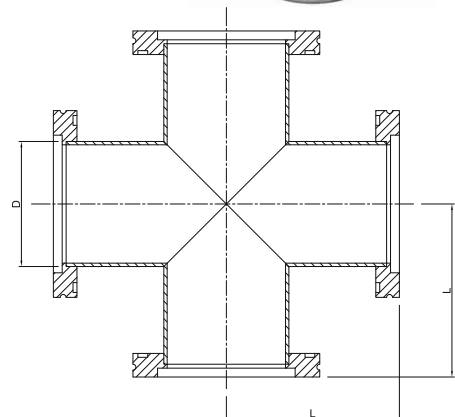
ISO-K Conical Reducers

Code	Flange	L	Price ex.
ISO80/63	A = ISO-K 80 / B = ISO-K 63	63	€ 120
ISO100/63	A = ISO-K 100 / B = ISO-K 63	63	€ 195
ISO100/80	A = ISO-K 100 / B = ISO-K 63	63	€ 172
ISO160/63	A = ISO-K 160 / B = ISO-K 63	63	€ 230



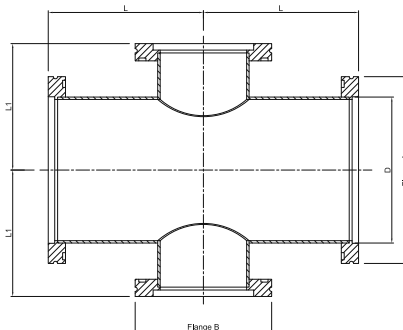
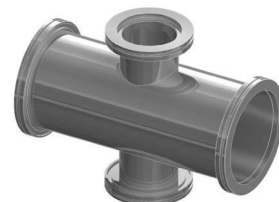
ISO-K Equal 4-way Cross

Code	Flange	D	L	Price ex.
ISOX4/63	ISO-K 63	76	88	€ 225
ISOX4/80	ISO-K 80	89	98	€ 270
ISOX4/100	ISO-K 100	101,6	108	€ 370
ISOX4/160	ISO-K 160	154	138	€ 525
ISOX4/200	ISO-K 200	203	178	€ 1.320
ISOX4/250	ISO-K 250	254	208	€ 1.920



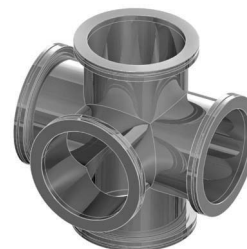
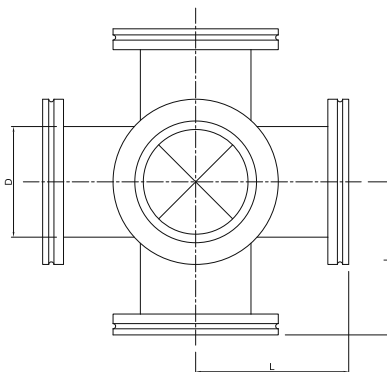
ISO-K Reducing 4-way Cross

Code	Flange	D	L	L1	Price ex.
ISOX4R/80/63	ISO-K 63 to ISO-K 80	89	98	88	€ 330
ISOX4R/100/63	ISO-K 63 to ISO-K 100	101,6	108	88	€ 357
ISOX4R/160/63	ISO-K 63 to ISO-K 160	154	138	108	€ 370
ISOX4R/100/80	ISO-K 80 to ISO-K 100	108	108	98	€ 402
ISOX4R/160/100	ISO-K 100 to ISO-K 160	154	138	108	€ 525
ISOX4R/200/100	ISO-K 100 to ISO-K 200	203	178	108	€ 628



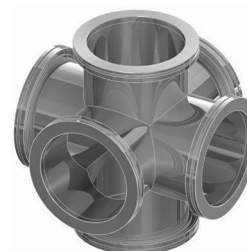
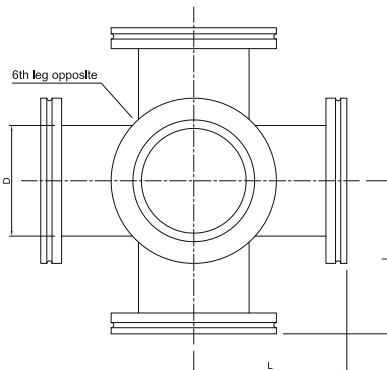
ISO-K 5-way Cross

Code	Flange	D	L	Price ex.
ISOX5/63	ISO-K 63	76	88	€ 480
ISOX5/80	ISO-K 80	89	98	€ 492
ISOX5/100	ISO-K 100	108	108	€ 675
ISOX5/160	ISO-K 160	154	138	€ 850
ISOX5/200	ISO-K 200	203	178	€ 1.800
ISOX5/250	ISO-K 250	254	208	€ 2.200



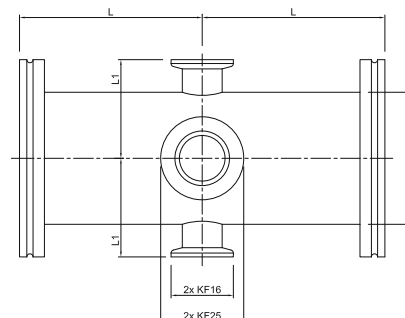
ISO-K 6-way Cross

Code	Flange	D	L	Price ex.
ISOX6/63	ISO-K 63	76	88	€ 680
ISOX6/80	ISO-K 80	89	98	€ 750
ISOX6/100	ISO-K 100	101,6	108	€ 920
ISOX6/160	ISO-K 160	154	138	€ 1.450
ISOX6/200	ISO-K 200	203	178	€ 1.800
ISOX6/250	ISO-K 250	254	208	€ 2.600



ISO-K 6-way KF Reducing Cross

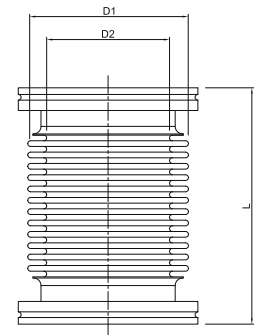
Code	Flange	D	L	L1	Price ex.
ISOX6R/63	ISO-K 63 / NW16KF / NW25KF	76	88	47,5	€ 283
ISOX6R/80	ISO-K 80 / NW16F / NW25KF	89	98	55	€ 354
ISOX6R/100	ISO-K 100 / NW16KF / NW25KF	101,6	108	65	€ 364
ISOX6R/160	ISO-K 160 / NW16KF / NW25KF	154	138	90	€ 405
ISOX6R/200	ISO-K 200 / NW16KF / NW25KF	203	178	120	€ 510
ISOX6R/250	ISO-K 250 / NW16KF / NW25KF	254	208	145	€ 614



ISO-K Hydraulically Formed Flexible Coupling - Short Bellow

Code	Flange	D1 (O.D.)	D2 (I.D.)	L	Stroke	Price ex.
ISOX63/127	ISO-K 63	86	65	127	13	€ 95
ISOX80/127	ISO-K 80	101	76	127	15	€ 130
ISOX100/127	ISO-K 100	123	95	127	17	€ 195
ISOX160/220	ISO-K 160	177	148	220	35	€ 295
ISOX200/230	ISO-K 200	221	190	230	35	€ 325
ISOX250/220	ISO-K 250	292	249	220	30	€ 410

Other lengths available on request



ISO-K Hydraulically Formed Flexible Coupling

Code	Flange	Mat.	D1 (O.D.)	D2 (I.D.)	L	Price ex.
ISOX63/250	ISO-K 63	SST 304	81	65	250	€ 110
ISOX63/500	ISO-K 63	SST 304	81	65	500	€ 136
ISOX63/750	ISO-K 63	SST 304	81	65	750	€ 175
ISOX63/1000	ISO-K 63	SST 304	81	65	1000	€ 225
ISOX63/1500	ISO-K 63	SST 304	81	65	1500	€ 280
ISOX80/250	ISO-K 80	SST 304	96	75	250	€ 160
ISOX80/500	ISO-K 80	SST 304	96	75	500	€ 168
ISOX80/750	ISO-K 80	SST 304	96	75	750	€ 225
ISOX80/1000	ISO-K 80	SST 304	96	75	1000	€ 254
ISOX80/1500	ISO-K 80	SST 304	96	75	1500	€ 340
ISOX100/250	ISO-K 100	SST 304	127	100	250	€ 138
ISOX100/500	ISO-K 100	SST 304	127	100	500	€ 248
ISOX100/750	ISO-K 100	SST 304	127	100	750	€ 290
ISOX100/1000	ISO-K 100	SST 304	127	100	1000	€ 340
ISOX100/1500	ISO-K 100	SST 304	127	100	1500	€ 432
ISOX160/250	ISO-K 160	SST 304	174	150	250	€ 225
ISOX160/500	ISO-K 160	SST 304	174	150	500	€ 300
ISOX160/750	ISO-K 160	SST 304	174	150	750	€ 460
ISOX160/1000	ISO-K 160	SST 304	174	150	1000	On request
ISOX160/1500	ISO-K 160	SST 304	174	150	1500	On request

Other lengths available on request

