

Hositrاد MB2000-Series Manipulators

High precision, large bore, long travel manipulators

The HO_MB2000 precision manipulator provides unmatched performance at an exceptional price.

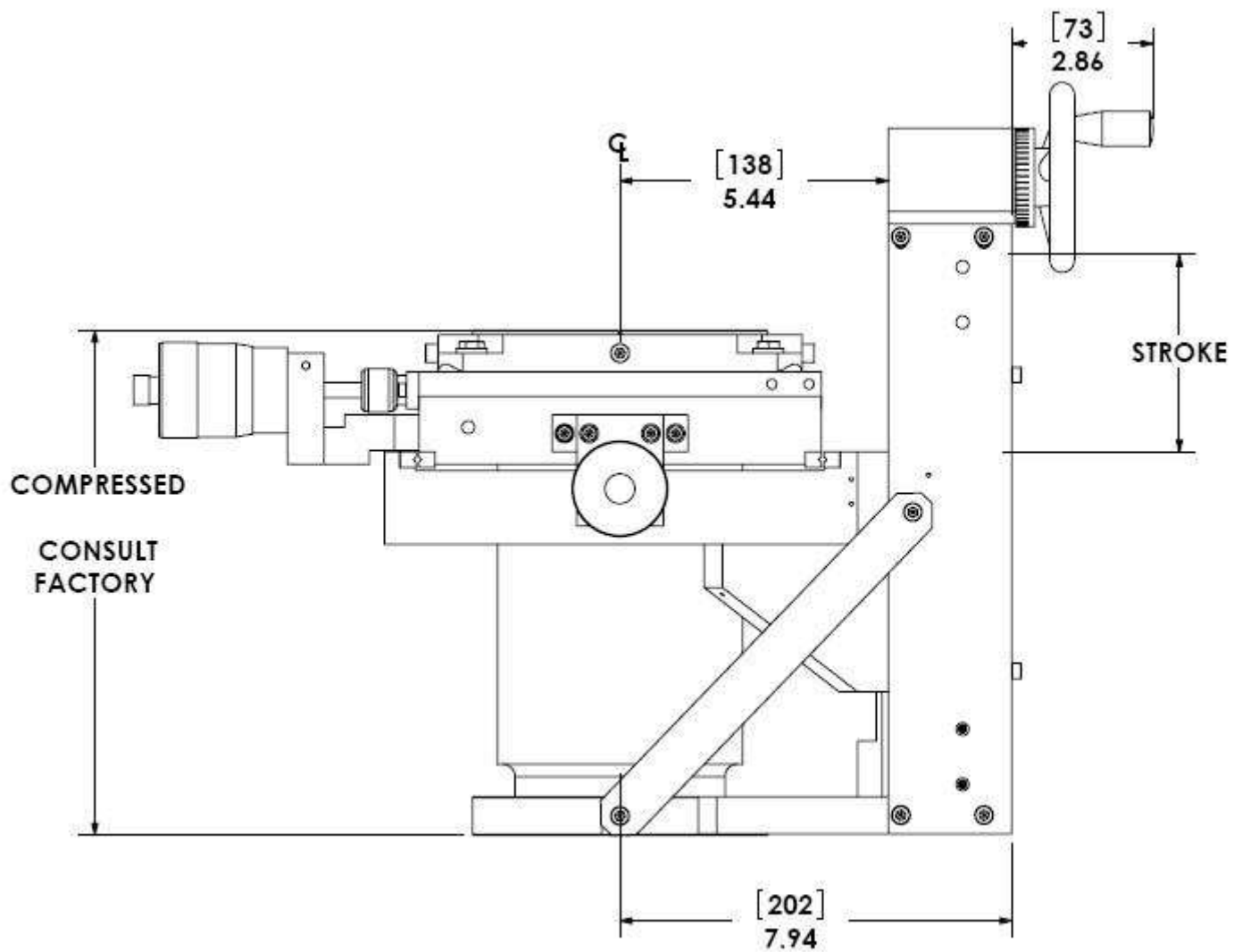
The rugged construction is designed to withstand the heaviest loads from both atmosphere (~200 lbs / 90 Kg!) as well as from scientific instruments.

Standard features and benefits

- **Top Flange Tilt - with $\pm 2^\circ$ adjustment!**
- X-axis micrometer may be mounted on either left or right side of manipulator
- Bellows I.D. 4.0" (101 mm) in the HO_MB2000 Series (circular pattern).
- Compact, rugged design with full Z axis frame provides extra rigidity to allow strokes in excess of 36" (900 mm).
- Adjustable, crossed roller bearings for extra rigidity.
- XY travel ± 0.5 " (12.5 mm) or ± 1.0 " (25 mm) circular pattern
- Standard X, Y & Z resolution >0.0005 " (12.5 μ)
- Optional high resolution large micrometers
- Repeatability to >0.00005 " (1.25 μ) with large micrometers.
- Field conversion to stepper motors in 15 minutes.
- Top flange is **tapped** as standard or may be **non-tapped** to suit your equipment.
- **Z travel** 4" -36" (100 - 900 mm)
- Consult factory for longer strokes.
- Base flange 6.0" (150 mm) conflat standard.
- Optional base flange 8" or 10" (or larger) conflat.
- See drawing below for dimensions
- Contact the factory for user's manual for more information.
- Contact the factory for CAD models



Drawing



MB2000-1/2 W/LARGE MICROMETERS

Part List MB2000-1/2

*XY Travel $\pm 0.5"$ (± 12.5 mm) circular pattern
Large micrometers available - $0.0001"$ (2.5μ) resolution
4.0" (100 mm) Clear ID*

Model	Z Travel	Compressed Height
MB2004-1/2	4" (100)	6.7" (170)
MB2006-1/2	6" (150)	7.1" (180)
MB2008-1/2	8" (200)	7.5" (191)
MB2010-1/2	10" (250)	7.9" (201)
MB2012-1/2	12" (300)	8.3" (211)
MB2016-1/2	16" (400)	9.1" (231)
MB2020-1/2	20" (500)	9.9" (251)
MB2024-1/2	24" (600)	10.7" (272)
MB2030-1/2	30" (750)	11.9" (302)
MB2036-1/2	36" (900)	13.1" (333)

Dimensions in inches (millimeters)

Part list MB2000

*XY Travel ± 1.0 " (± 25 mm) circular pattern
Large micrometers available - 0.0001" (2.5 μ) resolution
4.0" (100 mm) Clear ID*

Model	Z Travel	Compressed Height
MB2004	4" (100)	7.7" (196)
MB2006	6" (150)	8.1" (206)
MB2008	8" (200)	8.5" (216)
MB2010	10" (250)	8.9" (226)
MB2012	12" (300)	9.3" (236)
MB2016	16" (400)	10.1" (257)
MB2020	20" (500)	10.9" (277)
MB2024	24" (600)	11.7" (297)
MB2030	30" (750)	12.9" (327)
MB2036	36" (900)	14.1" (358)

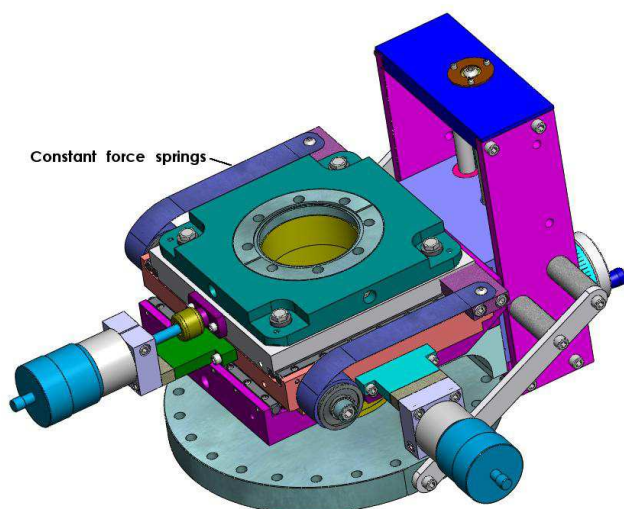
Dimensions in inches (millimeters)

Options shown below

● Options ●

Large micrometers	For 1" (25) travel, pair, add For 2" (50) travel, pair, add
Horizontal mounting Kit	add
Base flange 8" (CF150)	add
Base flange 10" (CF200)	add
Z-Axis DC motor w/pendant switch and power supply	add
Stepper motors and limit switches, per axis	add
Stepper motor controller, 1st axis	add
Stepper motor controller, additional axes (may be combined)	add

Horizontal Mounting Kit



Micrometers

