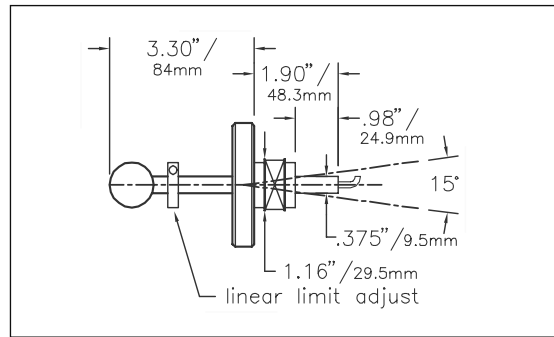


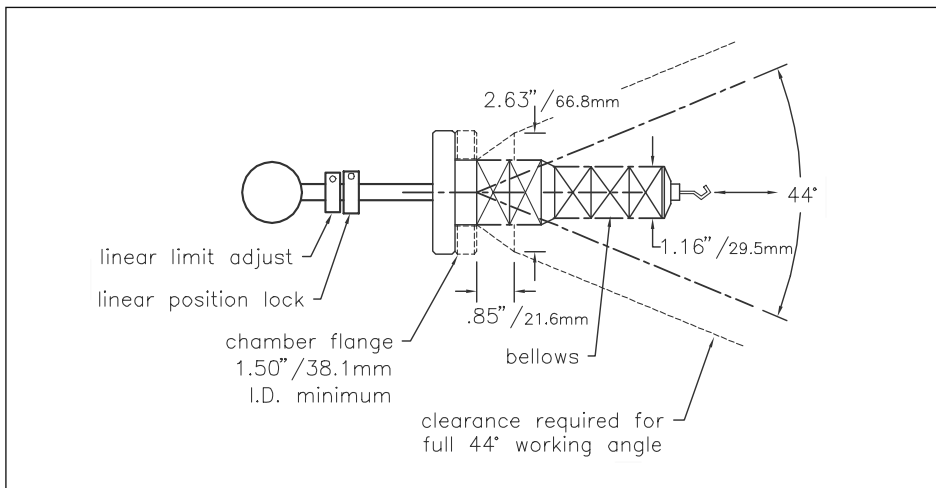
Wobble Sticks



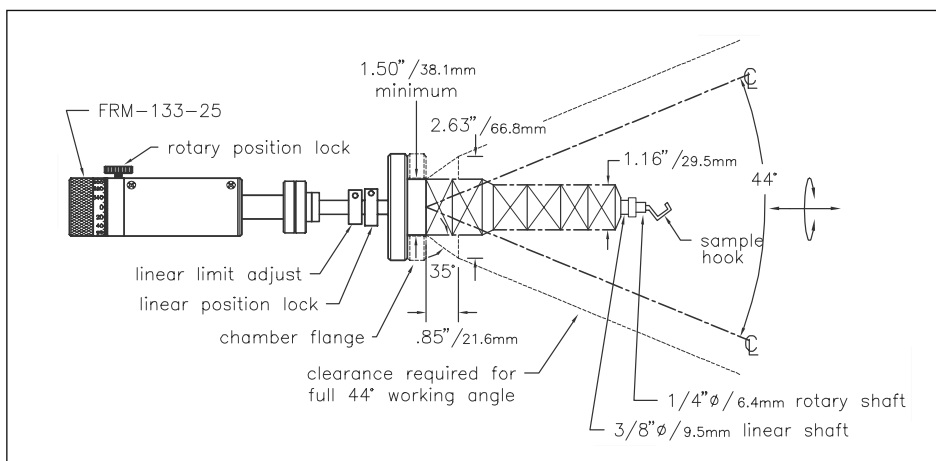
FWS-15-275-1



FWS-44-275-3



FWS-44-275-3



FWS-44R-275-4

FWS series wobble stick probes supply a combination of Z axis, polar rotation, and polar axis tilt to allow tip positioning inside the vacuum chamber. They can be fitted with clamp jaws, hooks, or forks to attach and release samples. The user can specify the required Z travel.

±7.5° Angular Range Wobble Stick

FWS-15-275-1

- 3/8" O.D. probe
- 2.75" O.D. mounting flange
- ±7.5° angular range
- 1" Z stroke (2" maximum Z stroke)

Price *on request*

Additional stroke, per inch *on request*

±22° Angular Range Wobble Stick

FWS-44-275-1

- 3/8" O.D. probe
- 2.75" O.D. mounting flange
- ±22° angular range
- 1" Z stroke (longer strokes available)
- Independent bellows for Z and θ
- Special spherical bearing mount
- Z travel position lock
- Includes tip fitted with hook, per customer requirements

Price *on request*

Additional stroke, per inch *on request*

±22° Angular Range Wobble Stick with Rotary Probe

FWS-44R-275-2

- 3/8" O.D. probe
- 2.75" O.D. mounting flange
- ±22° angular range
- 2" Z stroke (longer strokes available)
- Independent bellows for Z and θ
- Special spherical bearing mount
- Z travel position lock
- 360° probe rotation
- Includes tip fitted with hook, per customer requirements

Price *on request*

Additional stroke, per inch *on request*

Options

/4.50" Flange

Model No. FWS-44-275(450)-2

Price *on request*



Wobble Sticks with Pincer

±22° Angular Range Wobble Stick, Pincer Ready

FWS-44R-275-2/P

- 1/4" O.D. probe
- 2.75" O.D. mounting flange
- ±22° angular range
- 2" Z stroke
- Independent bellows for Z and θ
- Special spherical bearing mount
- Z travel position lock
- 360° probe rotation
- Push knob to open jaw, release to close
- Pincer jaw sold separately

Price *on request*

Additional stroke, per inch *on request*

Pincer Options

Hositrad offers a variety of pincers for your application. Custom pincers can be supplied on request. Platens not included.

/PW Standard Single Jaw Pincer

- Single jaw action
- Suitable for thin wafers

Price *on request*

/PDME DME Single Jaw Pincer

- Single jaw action
- Handles DME rectangular platens

Price *on request*

/PO Omicron Single Jaw Pincer

- Single jaw action
- Handles Omicron brand platens

Price *on request*

/POE Omicron Double Jaw Pincer

- Handles Omicron brand platens
- Edge grip double jaw action

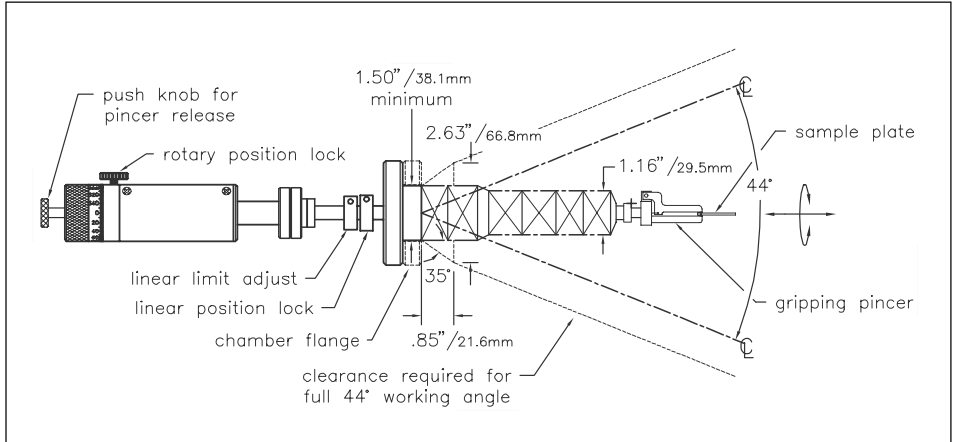
Price *on request*

/PS Special Pincer

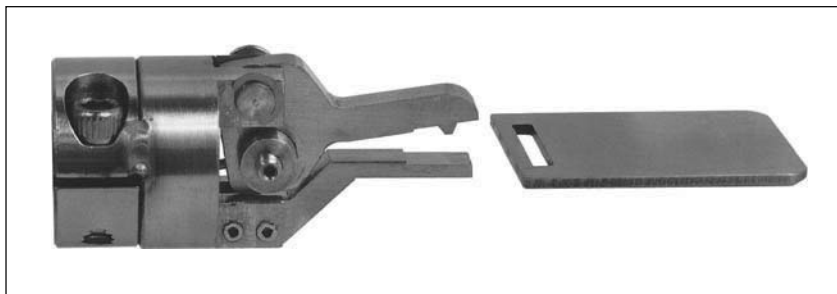
Price *on request*



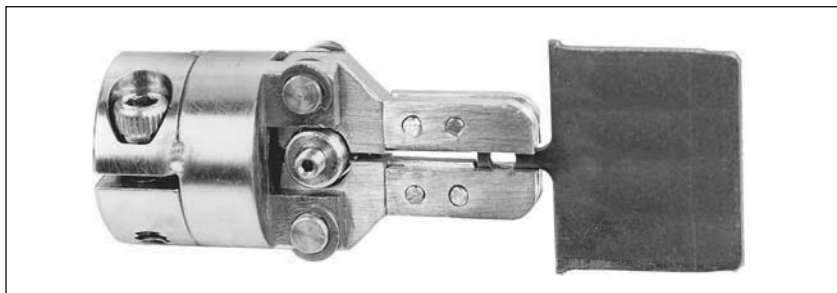
FWS-44R-275-8/PW (shown with optional /PW standard single jaw pincer)



FWS-44R-275-4/PW (shown with optional /PW standard single jaw pincer)



/PDME DME Single Jaw Pincer



/POE Omicron Double Jaw Pincer