



Magnetic Coupled Feedthroughs

Transferstages – Rotary/Linear –
Viewport Shutter – UHV Wobblestick



UHV compatible , bakeable , particlefree

NEW Design: UHV magnetically coupled rotary/linear transfer rod with bellow and alignment studs



- CF 40 flange,
- stroke from 300 mm
- Square rod 15x15 mm Translation
- 6 mm shaft rotation
- Axial force 61N, torque 1.6 Nm static
- Bakeable to 200 ° C
- Overall length: 190 mm + stroke
- support mounting thread: Shaft 10 mm, inner M6 (airside at the end of the rod-housing)
- tip end customized (please specify)



UHV Magnetic Rotary Transfer Stages



Fig 1: Without 3 Axis Adjustment



Fig 2: With 3 Axis Bellow Adjustment

UHV Magnetic Rotary Transfer Stage

With Flange CF 40
(larger flanges on request)
Square tube-translational SW 15
6 mm shaft rotation (continuous)
Supporting Shaft 10 mm (M6 inner)
61N axial force, torque 1.6 Nm static
Bakeable to 200 ° C.
Total length 135 mm + stroke
Total length 190 mm + stroke (with bellow)

Stop ring with twist
(either 0 ° or 0-120 °)

Tip Modification incl.

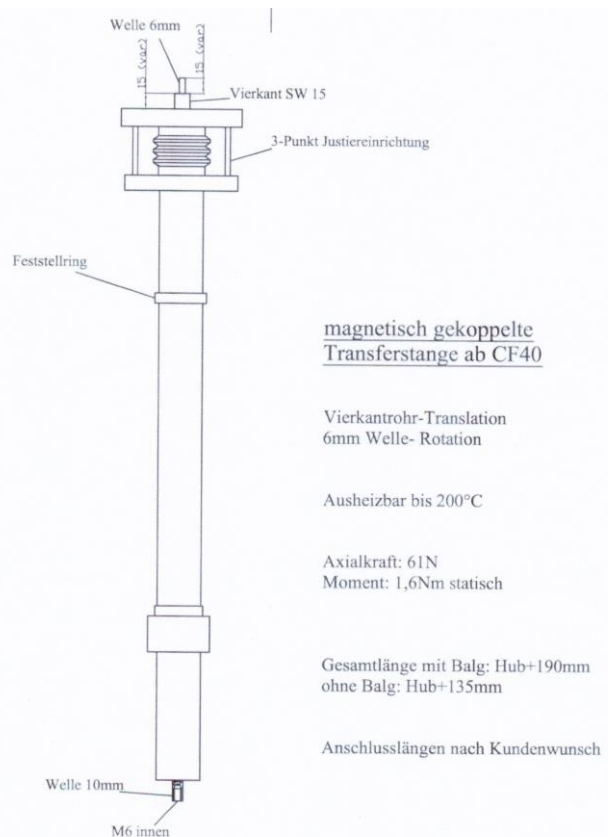


Fig 3: Schematic UHV Transfer Stage

Part.-No. Without 3 Axis Adjustment	Part.-No. With 3 Axis Adjustment	Stroke In mm	Price EURO
H_MTS300_CF40	H_MTS300_CF40/3AA	300	OR/aA
H_MTS400_CF40	H_MTS400_CF40/3AA	400	OR/aA
H_MTS500_CF40	H_MTS500_CF40/3AA	500	OR/aA
H_MTS600_CF40	H_MTS600_CF40/3AA	600	OR/aA
H_MTS700_CF40	H_MTS700_CF40/3AA	700	OR/aA
H_MTS800_CF40	H_MTS800_CF40/3AA	800	OR/aA
H_MTS900_CF40	H_MTS900_CF40/3AA	900	OR/aA
H_MTS1000_CF40	H_MTS1000_CF40/3AA	1000	OR/aA

UHV Magnetic Double Rotary Transfer Stages

UHV Magnetic Double Rotary Transfer Stage

With Flange CF 63
 (larger flanges on request)
 Square tube-translational SW 15
 6 mm shaft rotation (continuous)
 Supporting Shaft 10 mm (M6 inner)
 61N axial force, torque 1.6 Nm static
 Bakeable to 200 ° C.
 Total length 135 mm + stroke
 Total length 190 mm + stroke (with bellows)

Stop ring with twist (either 0 ° or 0-120 °)

Tip Modification incl.

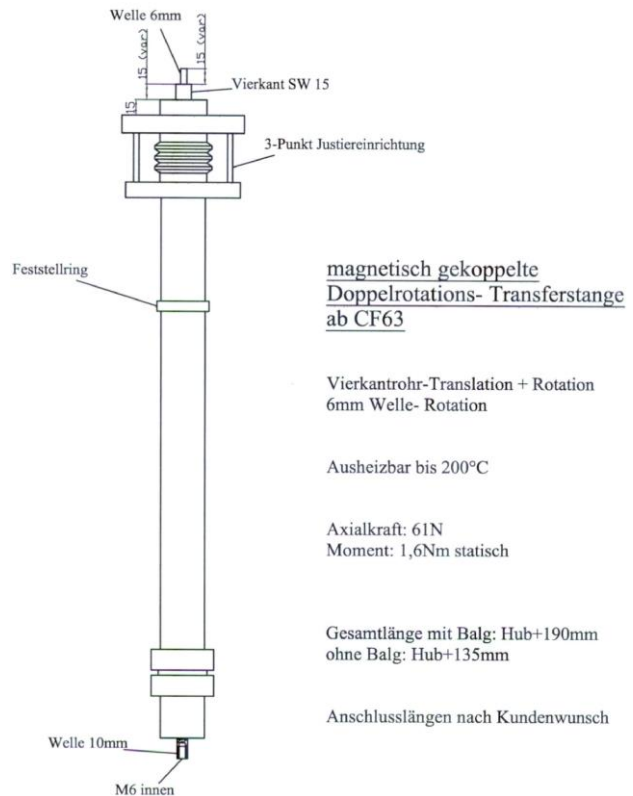
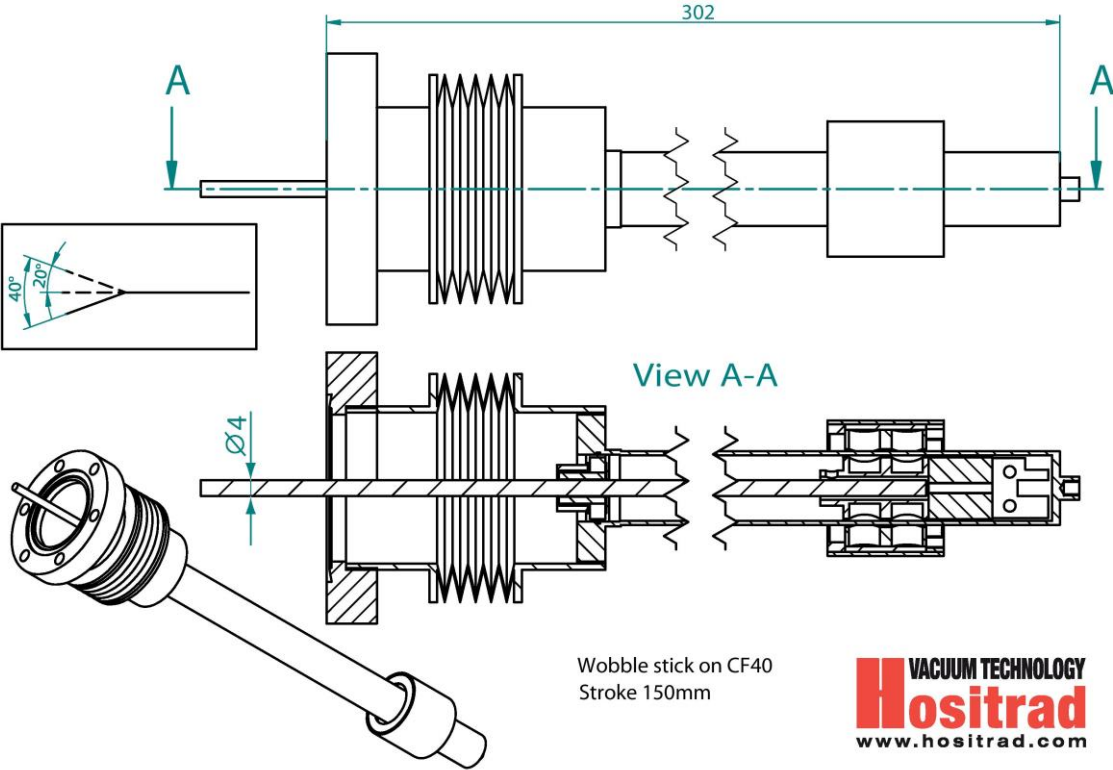


Fig 4: Schematic UHV Double Rotary Transfer Stage

Prices on request

UHV Wobblestick



Other flanges, lengths and strokes on request

UHV Mini Magnetic Transfer-/Rotary Stages

UHV Mini Magnetic Transfer-/Rotary Stage

With Flange CF 16
Stroke max. 40 mm
@ overall length 102 mm
Samarium Cobalt Magnet
bakeable until 250°C
easy disassembling , every part
exchangeable

Options:

- *Stroke and Special Design on request
- *Lead rod structure responsible for driving the magnetic manipulator in the linear direction

Tip Modification incl.

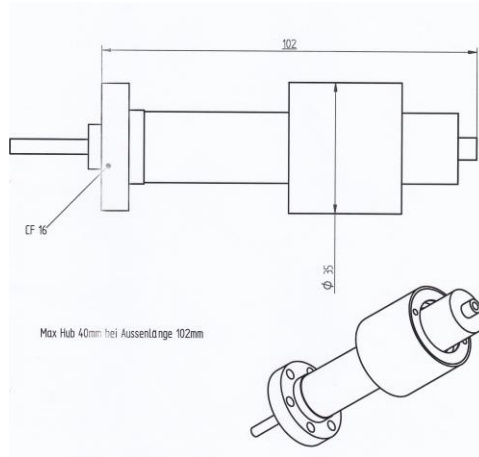


Fig 5: Schematic Mini UHV Transfer Stage

Prices on request

UHV Viewport Shutter with magnetic coupled feedthrough

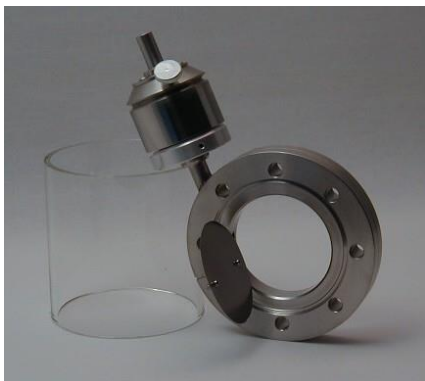


Fig 6: UHV Viewport Shutter

Part-No.	Flange Size	Price €
H-MVPS-35	CF 35	735,00
H-MVPS-63	CF 63	820,00
H-MVPS-100	CF 100	850,00
H-MVPS-150	CF 150	910,00

UHV Magnetic coupled Rotary Feedthroughs

Magnetic coupled Rotary feedthrough (extra strong), Type H_MI-000

Bakeable until 200°C
 Torque 2,0 Nm static
 Tip Modification incl.
 Special Modifications on request



HI-MI-000-35 Special with shaft 9.5 mm



H-MI-000-35 with Stepermotor
 (Prices on request)

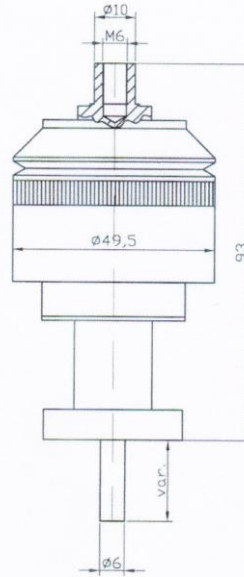


Fig 7: Magnetic coupled Rotary feedthrough

Part-No.	Flange Size	Price €
H-MI-000-16	CF 16	765,00
H-MI-000-35	CF 35	765,00

Magnetic coupled Rotary feedthrough (extra strong), Type H_MI-000_coax

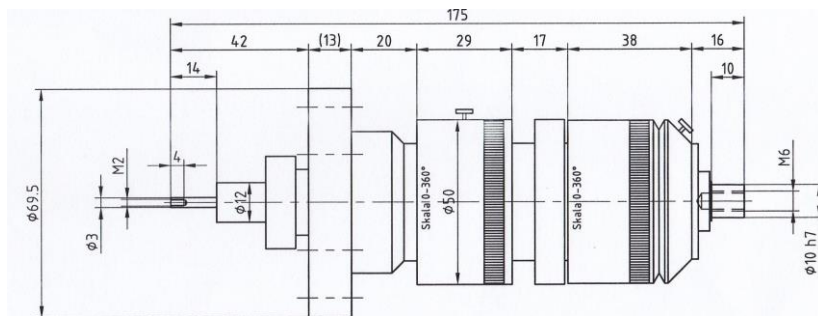


Fig 8

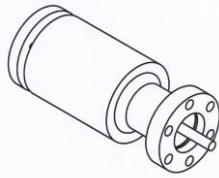
Double Rotary System (SmCo Magnets)
 Inner Shaft: 1,1 Nm static
 Outer Shaft: 2,1 Nm static
 Rotary Speed: max. 500/min
 Max Temp.: 200°C
 Flanges: CF 35 to CF 150



Part-No.	Flange Size	Price €
H-MI-000-35-coax	CF35 to CF 150	On request

UHV Magnetic coupled Rotary Feedthroughs 'Economy'

UHV Magnetic coupled Rotary Feedthroughs 'Economy'



SmCo Magnets
Bakeable until 250°C
easy disassembling ,
every part exchangeable
Bearing Inner part 3-times
(2 x radial, 1 x axial)

Tip Modification incl.

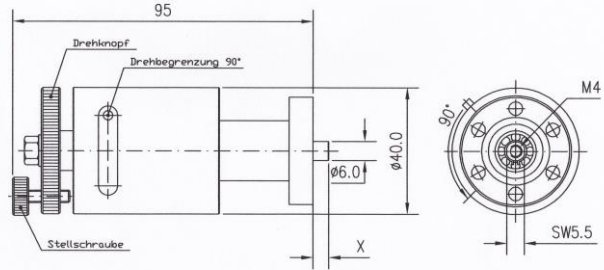
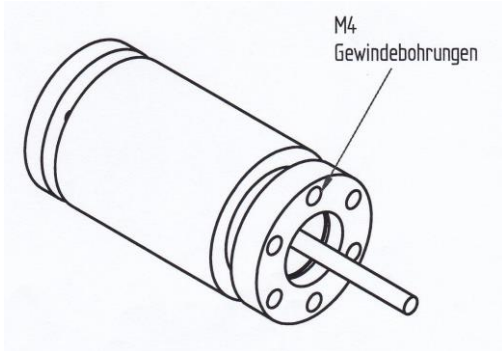


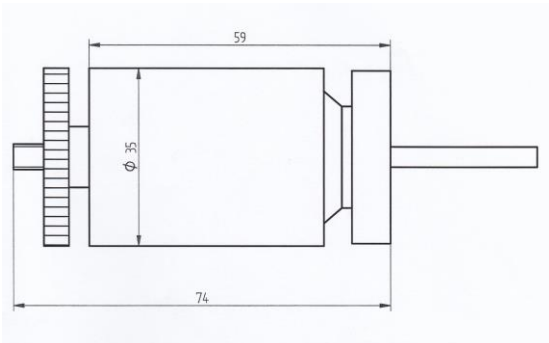
Fig 9: UHV Magnetic coupled Rotary Feedthroughs 'Economy'

Part-No.	Flange Size	Price €
H-MI-ECO-16	CF 16	585,00
H-MI-ECO-35	CF 35	590,00

Fig 10: 'Economy' - compact version -



With Flange tapped



Part-No.	Flange Size	Price €
H-MI-ECO-16_C	CF 16	585,00
H-MI-ECO-35_C	CF 35	590,00

Hositrad - Holland B.V.

De Wel 44
3871 MV Hoevelaken
Phone: (+31) 33 25 37 210
Fax: (+31) 33 25 35 274

Hositrad - Deutschland

Lindnergasse 2
D-93047, Regensburg
Phone: (+49) 941 55 82 7
Fax: (+49) 941 56 22 96