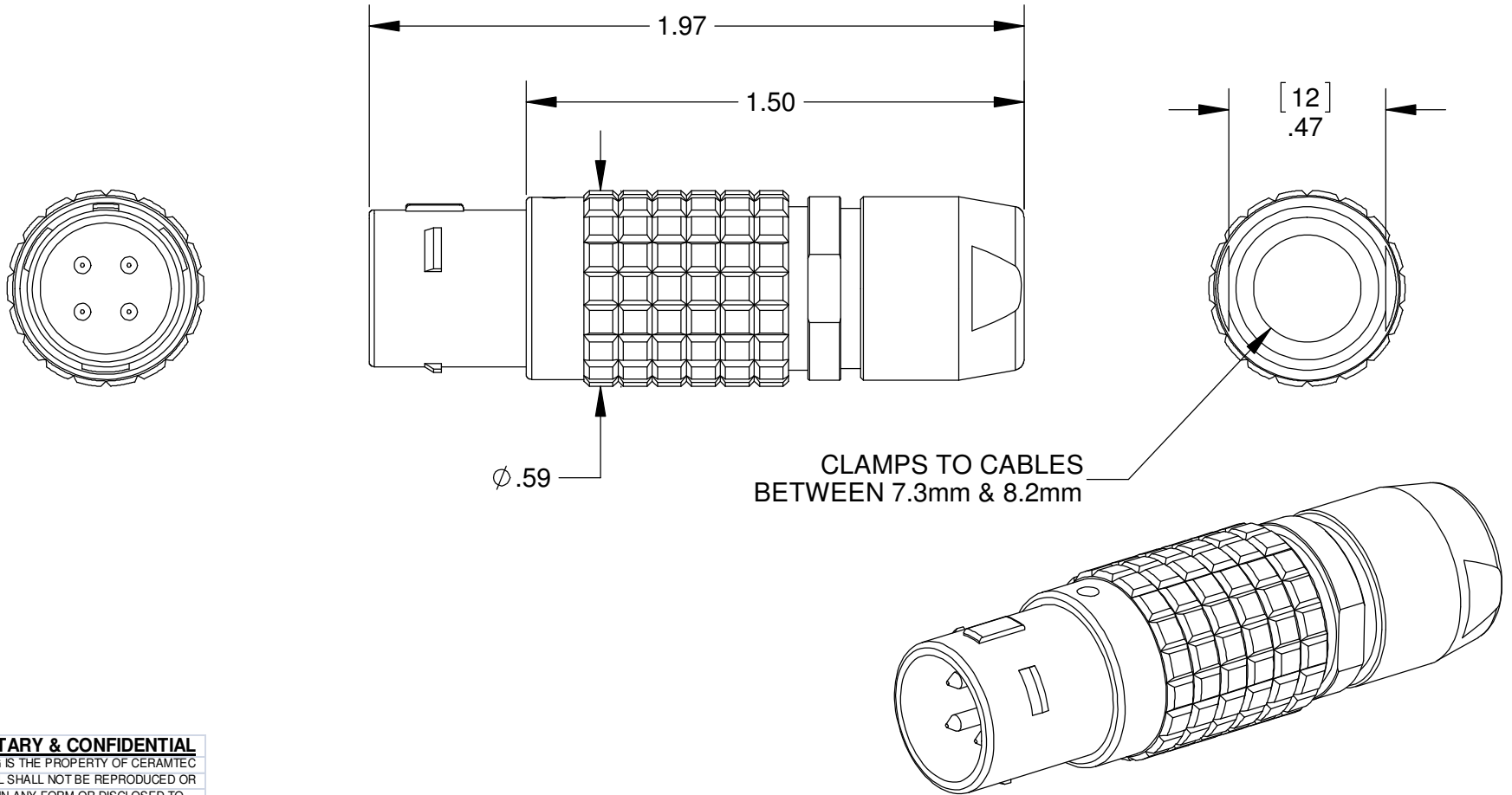


REV.	REVISION DESCRIPTION	APP'D	DATE
A	INITIAL RELEASE	LS	7/22/2015



PROPRIETARY & CONFIDENTIAL
 THIS DRAWING IS THE PROPERTY OF CERAMTEC
 THIS MATERIAL SHALL NOT BE REPRODUCED OR
 PUBLISHED IN ANY FORM OR DISCLOSED TO
 ANYONE OUTSIDE YOUR EMPLOY WITHOUT PRIOR
 WRITTEN CONSENT FROM CERAMTEC.

MATERIAL: **BRASS/ PEEK**

TITLE: **FOUR PIN PUSH-PULL AIR-SIDE PLUG ASSM KIT**



CERAMTEC SPECIFICATIONS APPLY: N/A

SUPERCEDES: N/A

CeramTec North America Corporation

FINISH: N/A

DIMENSIONS IN INCHES EXCEPT AS NOTED

DRAWN: OB

SCALE: 2:1

DRAWING No.

PLATING: CHROME PLATED

TOLERANCES UNLESS OTHERWISE SPECIFIED:

APP'D: LS

DATE: 7/22/2015

23684 SALES

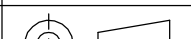
SIMILAR TO: N/A

1 PLACE

2 PLACE

3 PLACE

ANGLES



REF: N/A

23684 SALES

USED ON: N/A

±

±

±

±

SHEET 1 OF 1

REV. A