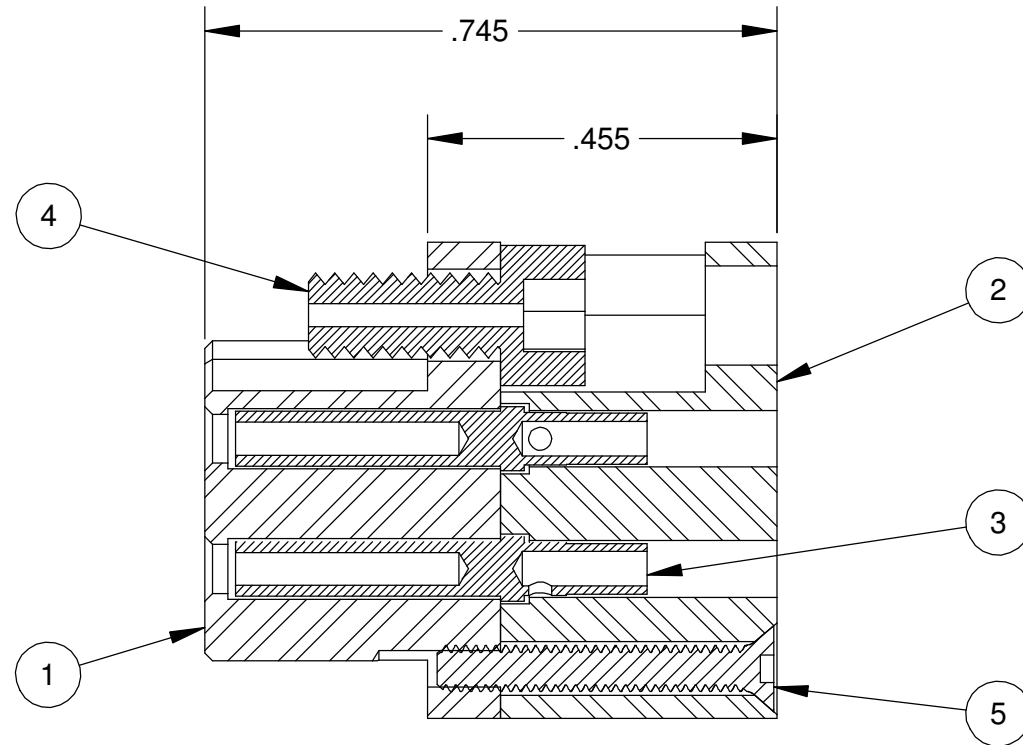
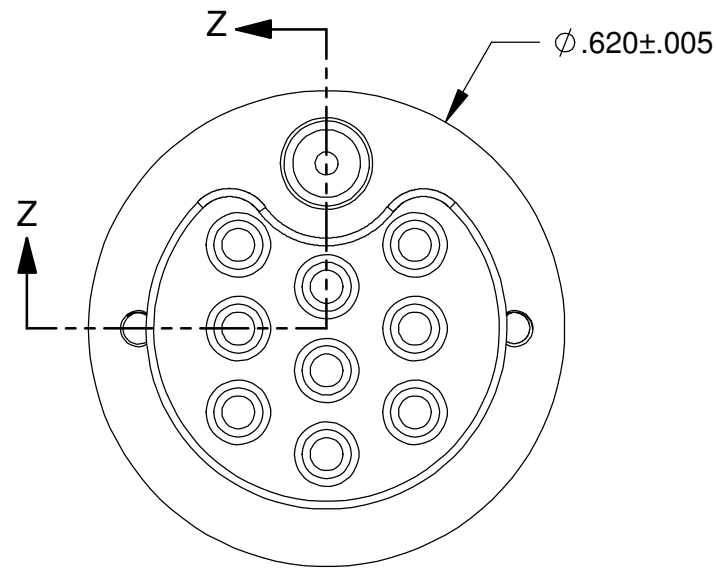
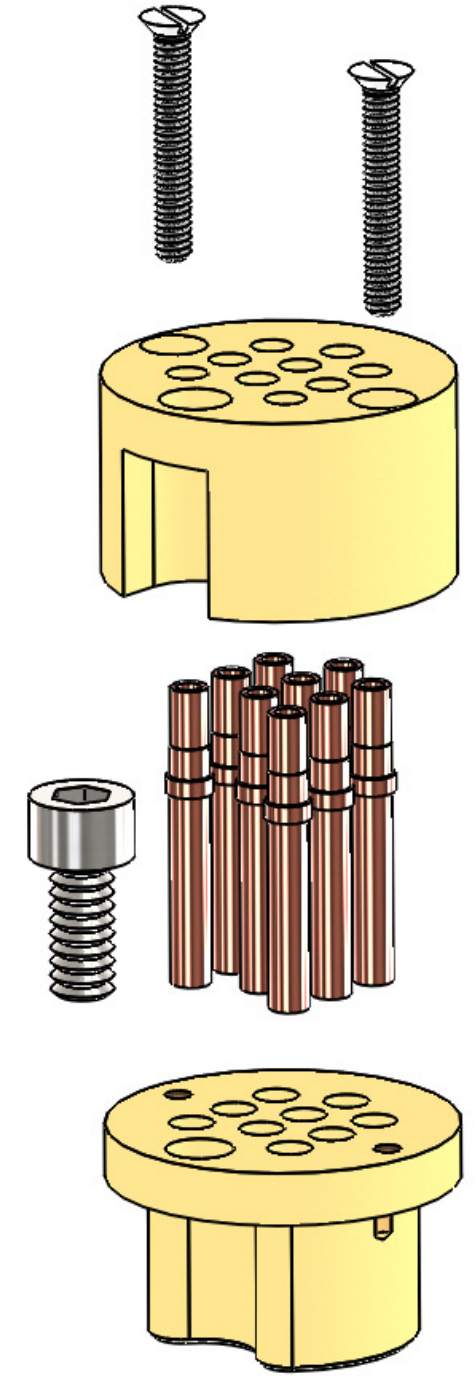
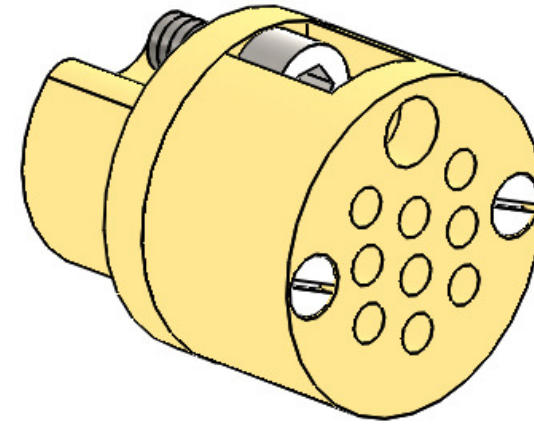
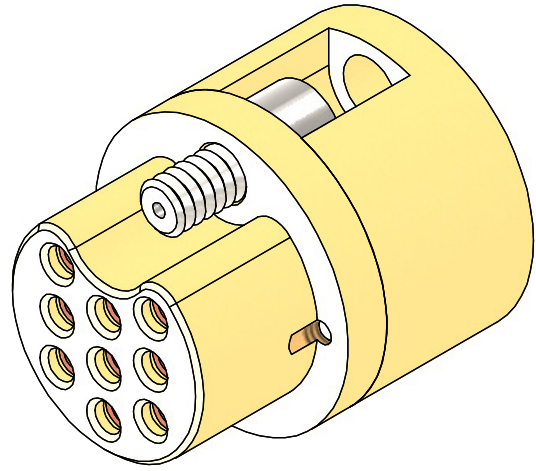


#	ITEM	MATERIAL	QTY
1	PLUG FRONT	PEEK	1
2	PLUG BACK	PEEK	1
3	CONTACT	COPPER ALLOY	10
4	BOLT	18-8 STN STL	1
5	SCREW	18-8 STN STL	2

NOTES:
 1- 1 EXTRA CONTACT FOR TOTAL OF 10 WILL BE SHIPPED WITH PLUG.
 IF ADDITIONAL CONTACTS ARE NEEDED, THEY MAY BE PURCHASED FROM
 CTNA AS P/N 16757-02-A, IN PACKAGES OF 5.
 2- CURRENT RATING: 15 AMPS/CONTACT.
 3- VOLTAGE RATING: 500 VDC.
 4- TEMPERATURE RANGE: -269°C to 200°C.

24820 SALES		SHEET 1 OF 1	
REV.	REVISION DESCRIPTION	APP'D	DATE
A	INITIAL RELEASE	OB	2/17/2017



SECTION Z-Z

CERAMTEC SAP MATERIAL #: 1023239
 CERAMTEC PART #: 24820-01-A

PROPRIETARY & CONFIDENTIAL
 THIS DRAWING IS THE PROPERTY OF CERAMTEC
 THIS MATERIAL SHALL NOT BE REPRODUCED OR
 PUBLISHED IN ANY FORM OR DISCLOSED TO
 ANYONE OUTSIDE YOUR EMPLOY WITHOUT PRIOR
 WRITTEN CONSENT FROM CERAMTEC.

MATERIAL: SEE DESCRIPTION		TITLE: VACUUM SIDE 9 PIN SUB-C PLUG ASSEMBLY			
CERAMTEC SPECIFICATIONS APPLY: N/A		SUPERCEDES: N/A			
FINISH: AS ASSEMBLED	DIMENSIONS IN INCHES EXCEPT AS NOTED			DRAWN: CF	SCALE: 4:1
PLATING: NONE	TOLERANCES UNLESS OTHERWISE SPECIFIED:			APP'D: OB	DATE: 2/17/2017
SIMILAR TO: 16810-01-A	1 PLACE	2 PLACE	3 PLACE	ANGLES	REF: N/A
USED ON: N/A	±	±.03	±.015	±2°	

CeramTec	
CeramTec North America Corporation	
DRAWING No.	
24820 SALES	
SHEET 1 OF 1	REV. A

24820 SALES