

1 2 3 4 5 6

A

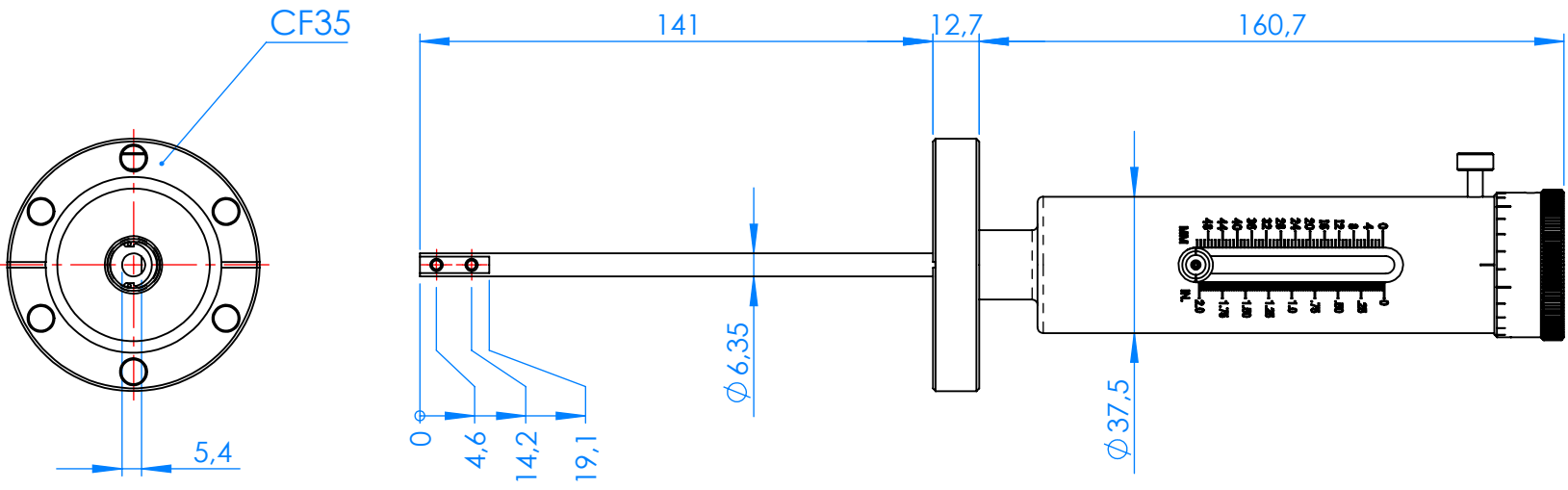
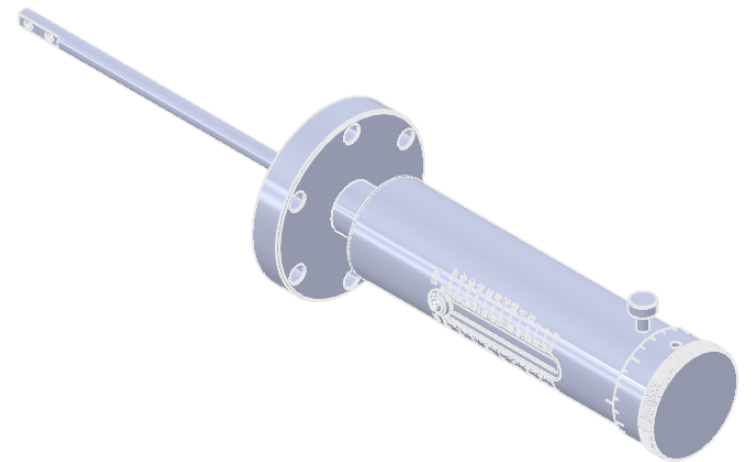
A

B

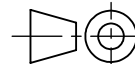
B

C

C



UNLESS OTHERWISE SPECIFIED:
 DIMENSIONS ARE IN MILLIMETERS
 SURFACE FINISH:
 TOLERANCES: ISO 2768-1m
 LINEAR:
 ANGULAR:

FINISH:

 DEBUR AND
 BREAK SHARP
 EDGES

DO NOT SCALE DRAWING REVISION

Hositrad Holland B.V.

	NAME	SIGNATURE	DATE		
DRAWN	S.A. Pul				
CHK'D					
APPV'D					
MFG					
Q.A					

TITLE:
H102230
 DWG NO. A4



1 2 WEIGHT: SCALE:1:2 SHEET 1 OF 1