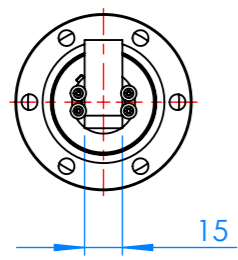
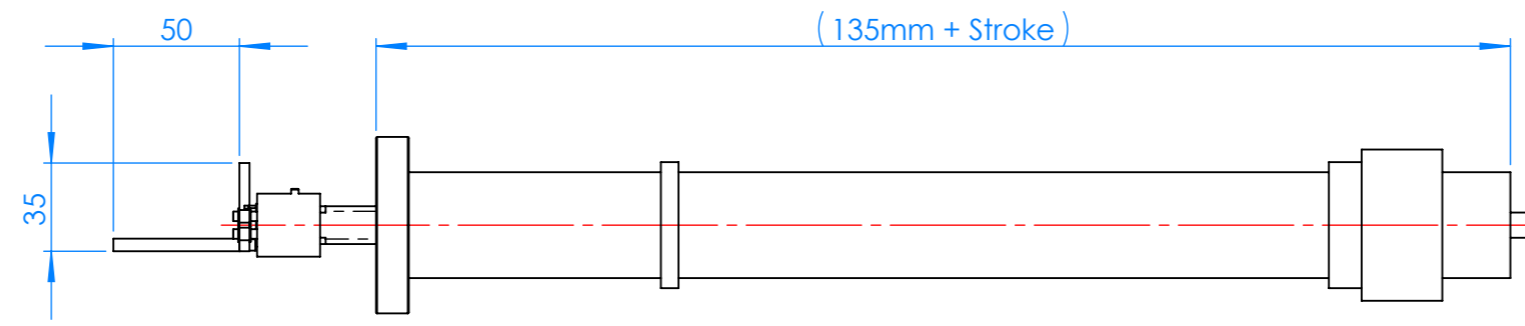
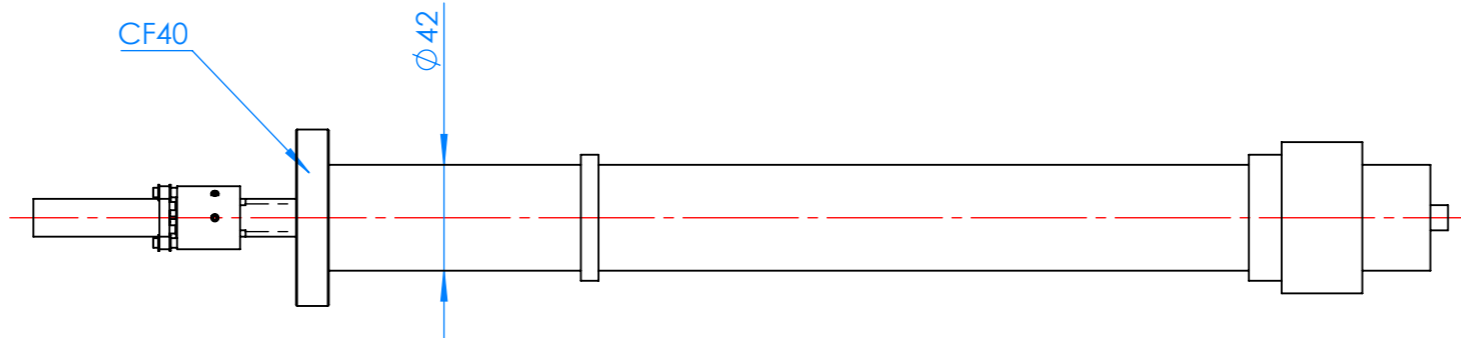
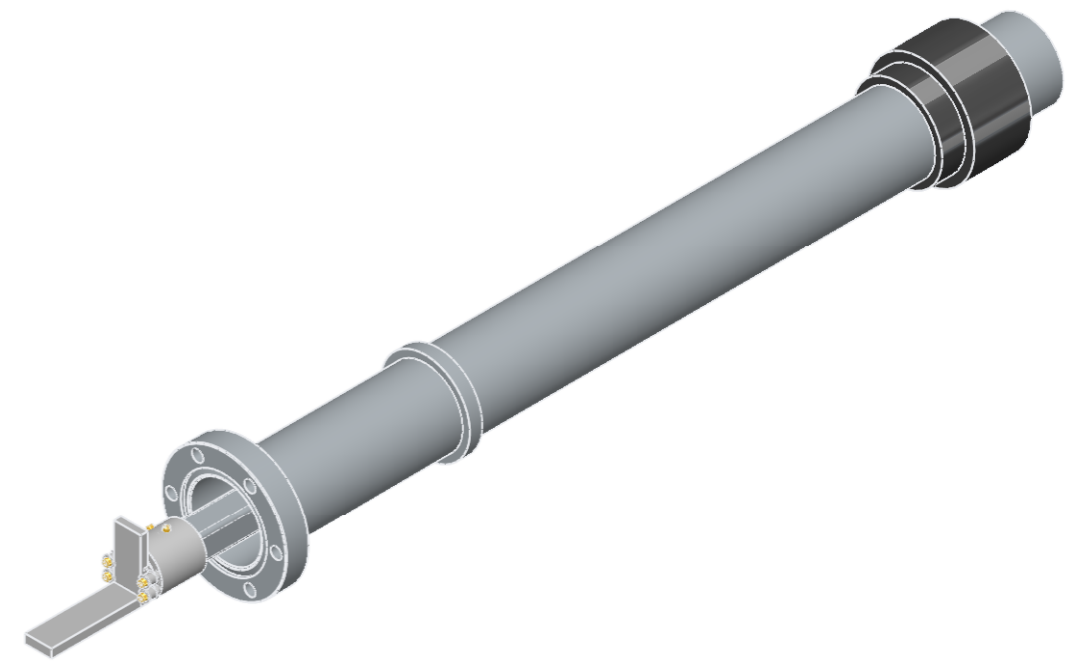
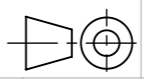


1 2 3 4 5 6 7 8

A
B
C
D
E
F



UNLESS OTHERWISE SPECIFIED: DIMENSIONS ARE IN MILLIMETERS SURFACE FINISH: TOLERANCES: ISO 2768-1m LINEAR: ANGULAR:				FINISH:	 DEBUR AND BREAK SHARP EDGES	DO NOT SCALE DRAWING	REVISION
						Hositrad Holland B.V.	
DRAWN	NAME	SIGNATURE	DATE			TITLE:	
CHK'D	S.A. Pul						
APPV'D							
MFG							
Q.A					MATERIAL:	DWG NO.	A3
						Transfer XXX-Assy with Lifter	
					WEIGHT:	SCALE:1:3	SHEET 1 OF 1